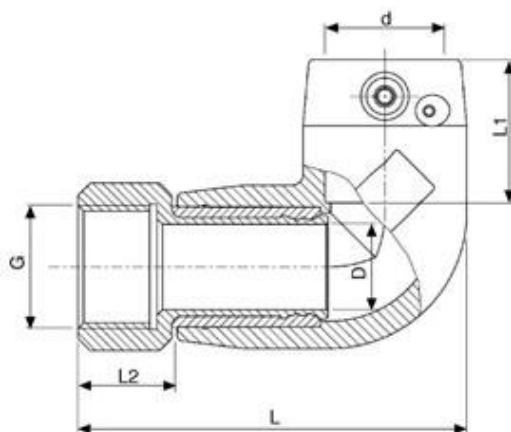


Kolano PE100 90° GW (elektrooporowe)

ciśnienie PN16



średnica d x G	L	L1	L2	D	A	Waga /g/
20x1/2"	86	35	20	14	38	140
25x3/4"	89	35	23	19	38	240
32x3/4"	104	39	25	23	43	335
32x1"	104	39	25	23	43	275
40x1"	119	44	25	29	47	535
40x1 1/4"	119	44	25	29	47	654
40x1 1/2"	119	44	25	29	47	455
50x1 1/2"	135	49	25	38	52	545
50x2"	139	49	30	38	52	635
63x1 1/2"	162	58	30	48	58	1072
63x2"	162	58	30	48	58	950